



**ALPER
ELEKTRONİK**

HB ALPER ELEKTRONİK MAKİNA San.Ve Tic.Ltd.Şti.
Mersin-Tarsus Organized Industrial Zone 2. Street No:28 MERSİN/TURKEY
Tel. +90 324 676 4486-87 Faks: +90324 676 4426 info@alperelektronik.com.tr
www.alperelektronik.com.tr www.meshmatic.com www.collmatic.com

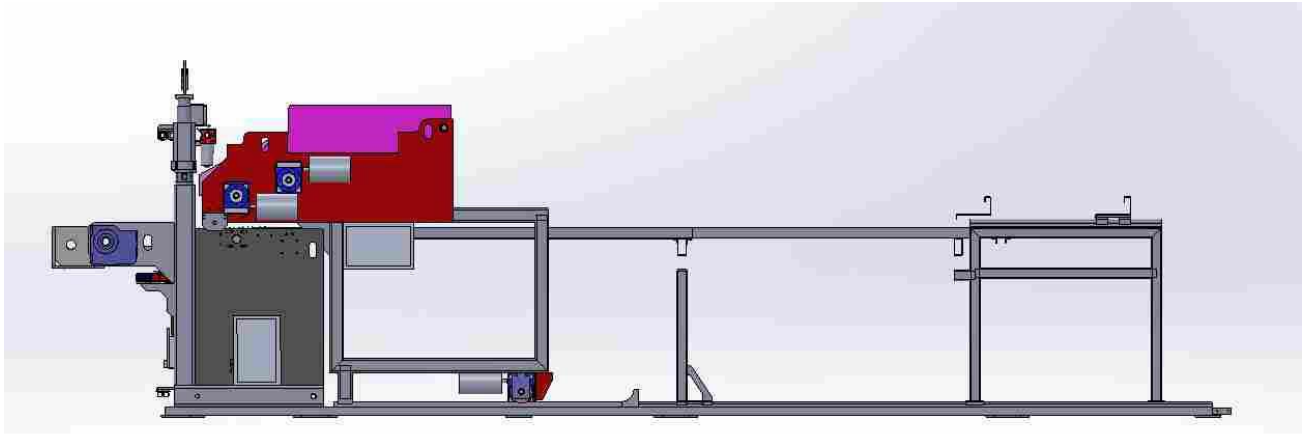
BRAND: MESHMATIC

MODEL: HKM 24 Z 08

Width of the panel
24- (2400mm)

Line wire feeding method
Z- (Automatic feeding
by chains)

Weldable diameter
08- max.8mm-8mm



Capacity :

Machine speed :	45 strokes per minute
Width of the panel:	2400mm
Length of the panel:	6000mm
Diam.of the cross wire:	4-8mm
Diam. Of the line wire:	4-8mm
Space of cross wires:	50-100-150-200-250mm
Space of line wires:	100-150-200-250mm

Needs :

Line Power	3x400V 400KVA
Cooling Water	Cooled, neutral, 80 liters per minute 1 -1/4"
Pressured Air	6 atm ,4 cubic meters per minute



Units of the Machine:

- 1)FEEDING MECHANISM OF LINE WIRES
- 2)WELDING UNIT
- 3)FEEDING OF CROSS WIRES
- 4)ELECTRICAL CABINET

1) Equipped by Servo Motor. Feeding length is selectable on the touch panel. It is stepped 50-100-150-200-250mm.

Feeding length:	50-250mm
Feeding system:	Servo motor
Chains:	5 lines

2) The welding unit includes upper and lower electrodes and 6 pcs 120KVA welding transformers. The line wires come on the upper electrodes and cross wires on the chains, then welding cylinders press, transformers send high current electrical power for welding.

Welding transformers:	6 pcs 120KVA
Welding press cyls:	24 pcs 90mm tandem
Valves:	24 pcs high flow
Upper electrode holders:	12 pcs 75-100mm 8 pcs 150mm 6 pcs 200-250mm
Welding bars :	24 pcs , water cooled cooper
Down electrode holders:	24 pcs water cooled

3) The magnetic carrier takes a few cross wires to the mini magazine.

Servo motor activated separator disc takes the cross wires one to one.

Pneumatic activated strikers pushes the cross wire to the magnets.

Capacity of the cross wire magazin :	600 kg
Motor of the magazin	1.1kw, AC
Motor for cross wires:	0.75kw Servo
Cross wire seperator:	4-8mm adjustable
Cross wire striker :	6 pcs

4) There are 6 pair disc SCR in the cabinet. PLC and motor control system are connected together. The system can connect to internet by way of ethernet.

PLC:	Panasonic - Mitsubishi
Touch panel:	Delta -Mitsubishi
Inverters:	Mitsubishi
Servomotors:	Mitsubishi
Electrical components:	Schneider
Welding system:	PLC controlled SCR pairs 6 sets